

VELVET L STYLE

OutFit



Product categories



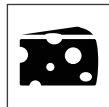
Meat



Chicken



Delicatessen



Cheese



Dairy products



Gastronomy

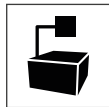


Pastries

Technical features



Ventilated



Remote condensing unit



LED lighting



High efficiency fans



Off-cycle defrost

Certification and patents



TechnoKleen



Epta Adamant



Epta S.p.A. participates in the ECC programme for:
Refrigerated display cabinets (RDC); Check ongoing validity
of certificate online: www.eurovent-certification.com

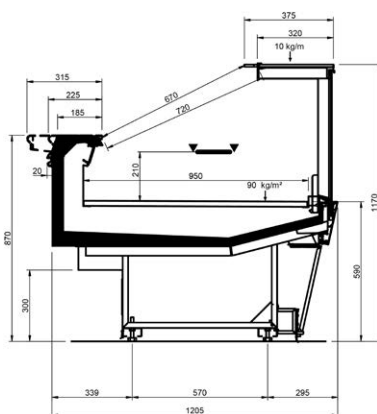
VELVET L STYLE

OutFit

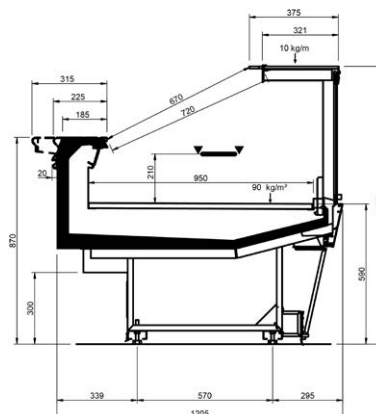
Product range

VELVET L STYLE							
Length-Lunghezza Longueur-Länge-Longitud mm	937	1250	2500	3750	MAA 90°	MAA 45°	MAC 45°
RDB	•	•	•	•			
RDA	•	•	•	•	•	•	
WO	•	•	•	•		•	•
RCB	•	•	•	•	•	•	•
RCA	•	•	•	•	•	•	•
LS	•	•	•	•	•	•	•
Display area Superficie di esposizione Warenpräsentationsfläche Surface d'exposition Superficie espositiva m ² /ml	0.95						
Loading area Superficie di appoggio Nutzfläche Surface de chargement Superficie de apoyo m ² /ml	1.21						
End thickness Spessore spalla Stärke der Seitenwand Épaisseur de cheue joue Espesor lateral mm	55.00						

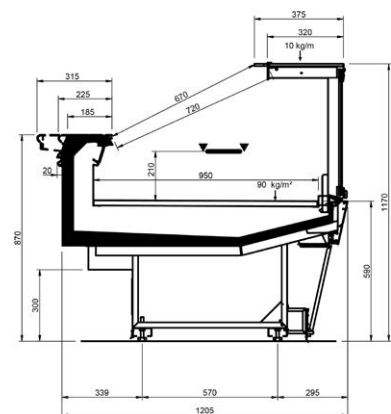
Cross sections



RDB



RDA

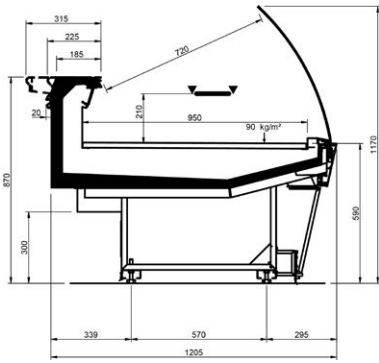


WO

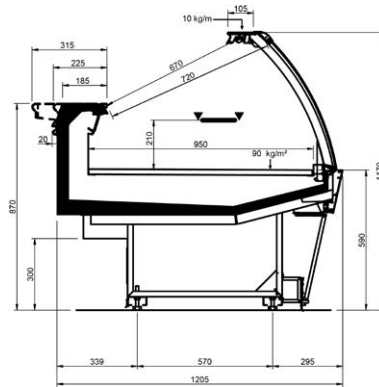
VELVET L STYLE

OutFit

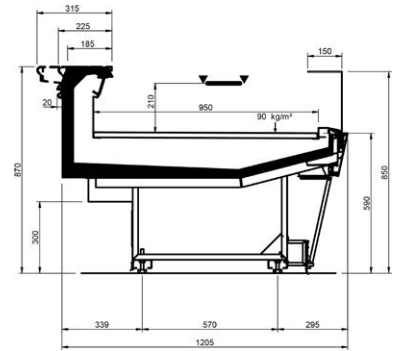
Cross Sections



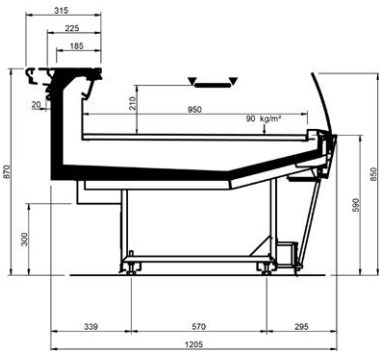
RCB



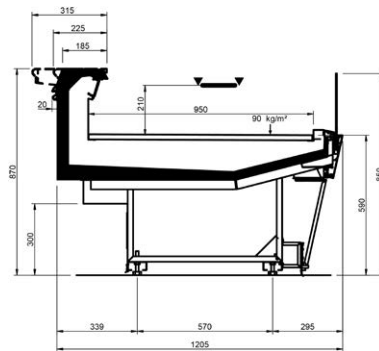
RCA



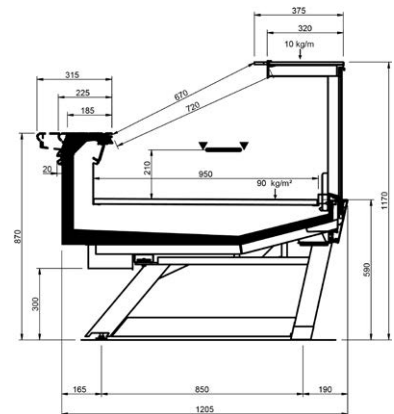
LS-U



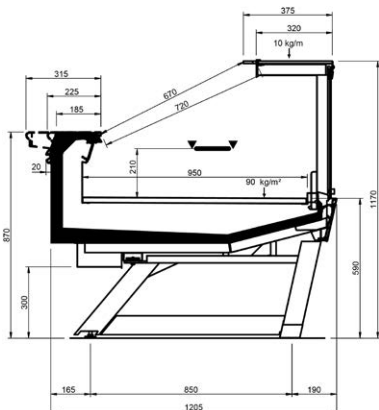
LS-C



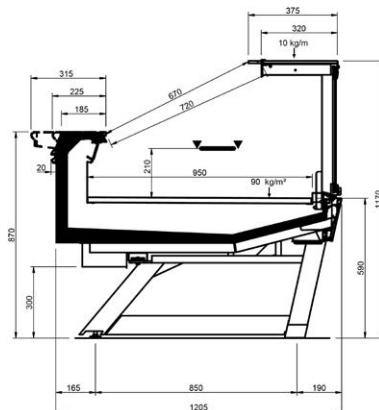
LS-D



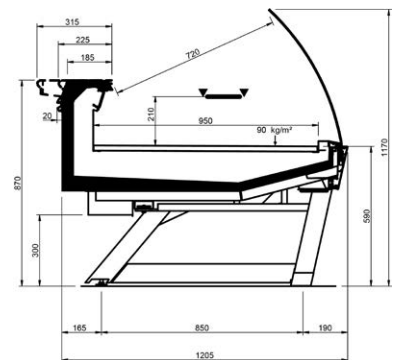
LEGS - RDB



LEGS - RDA



LEGS - WO

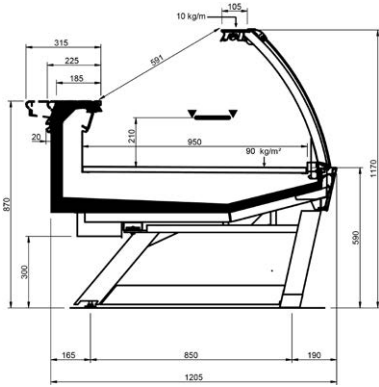


LEGS - RCB

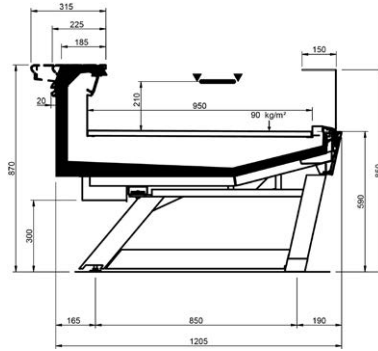
VELVET L STYLE

OutFit

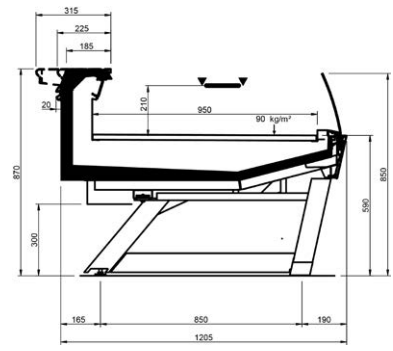
Cross Sections



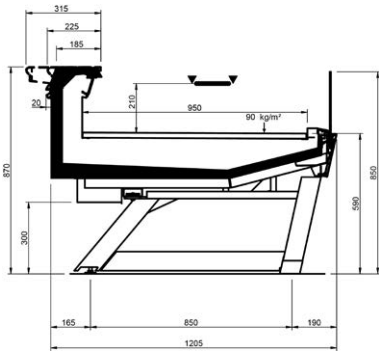
LEGS - RCA



LEGS - LS-U



LEGS - LS-C



LEGS - LS-D