

VELVET N CONV D

OutFit



NEW DESIGN EVOLUTION VERSION

Product categories



Meat



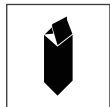
Chicken



Delicatessen



Cheese



Dairy products



Gastronomy



Pastries

Technical features



Ventilated



Remote condensing unit



LED lighting



High efficiency fans



Off-cycle defrost

Certification and patents



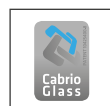
TechnoKleen



Epta Adamant



Epta S.p.A. participates in the ECC programme for:
Refrigerated display cabinets (RDC). Check ongoing validity
of certificate online: www.eurovent-certification.com

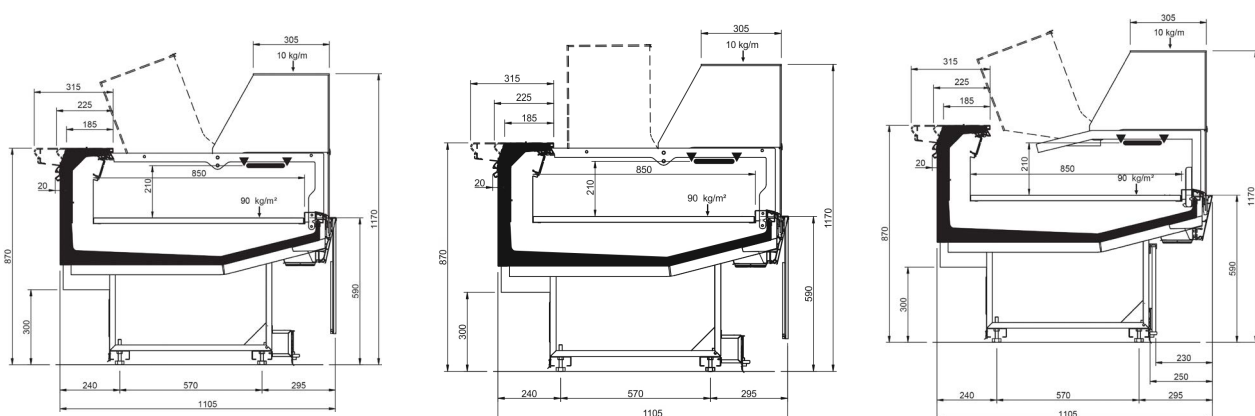


Cabrio Glass

Product range

VELVET CONV D						
Length -Lunghezza Longueur-Länge-Longitud mm	937	1250	1875	2500	3125	3750
DESIGN	•	•	•	•	•	•
STUDIO	•	•	•	•	•	•
STYLE	•	•	•	•	•	•
Display area Superficie di esposizione Warenpräsentationsfläche Surface d'exposition Superficie expositiva m ² /ml	0.85					
Loading area Superficie di appoggio Nutzfläche Surface de chargement Superficie de apoyo m ² /ml	1.08					
End thickness Spessore spalla Stärke der Seitenwand Épaisseur de chaque joue Espesor lateral mm	55.00 Style-Studio / 35.00 Design					

Cross sections



DESIGN

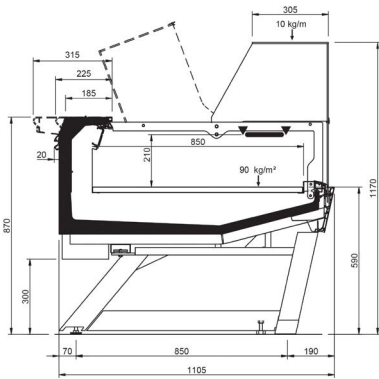
DESIGN

STUDIO

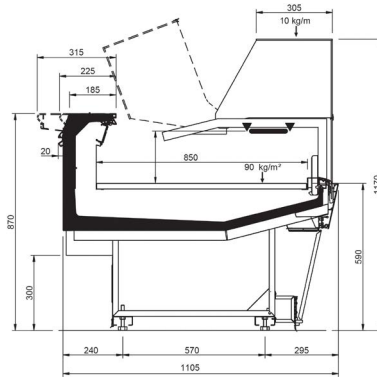
VELVET N CONV D

OutFit

Cross Sections



STYLE LEGS



STYLE