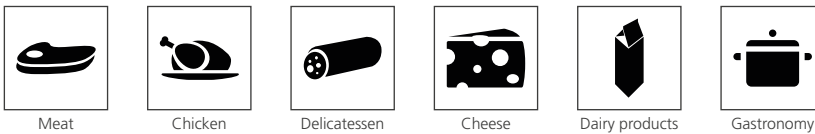


VELVET N CURVE

OutFit



Product categories



Meat

Chicken

Delicatessen

Cheese

Dairy products

Gastronomy

Technical features



Ventilated

Remote condensing unit

LED lighting

High efficiency fans

Off-cycle defrost

Certification and patents



TechnoKleen



Epta Adamant



Epta S.p.A. participates in the ECC programme for:
Refrigerated display cabinets (RDC); Check ongoing validity
of certificate online: www.eurovent-certification.com

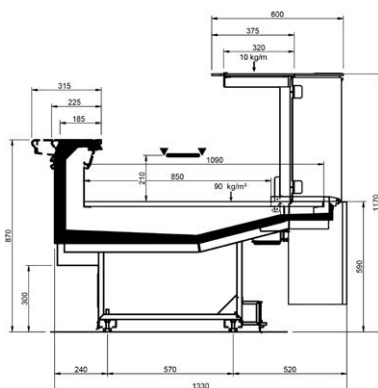
VELVET N CURVE

OutFit

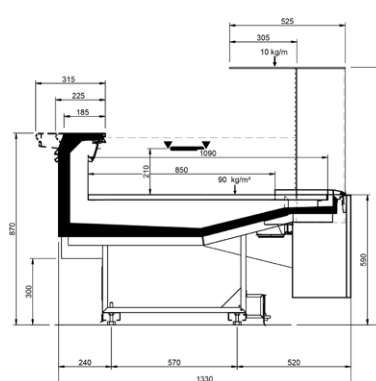
Product range

VELVET N CURVE			
Length-Lunghezza Longueur-Länge-Longitud mm	937 WO	937 RDBP	937 LS-D
DESIGN	•	•	•
STUDIO	•		•
STYLE	•		•
Display area Superficie di esposizione Warenpräsentationsfläche Surface d'exposition Superficie expositiva m ² /ml	0.85		
Loading area Superficie di appoggio Nutzfläche Surface de chargement Superficie de apoyo m ² /ml	1.08		
End thickness Spessore spalla Stärke der Seitenwand Épaisseur de cheue joue Espesor lateral mm	55.00 Style-Studio / 35.00 Design		

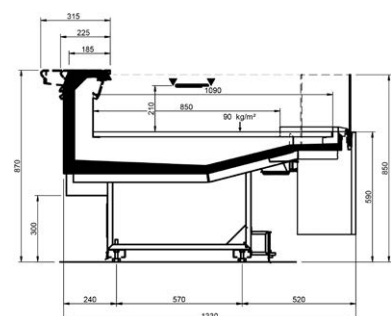
Cross sections



DESIGN - WO



DESIGN - RDBP



DESIGN - LS-D

