



Product categories



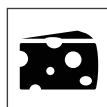
Meat



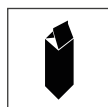
Chicken



Delicatessen



Cheese



Dairy products



Gastronomy

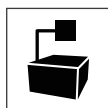


Pastries

Technical features



Ventilated



Remote condensing unit



LED lighting

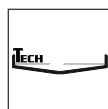


High efficiency fans



Off-cycle defrost

Certification and patents



TechnoKleen



Epta Adamant

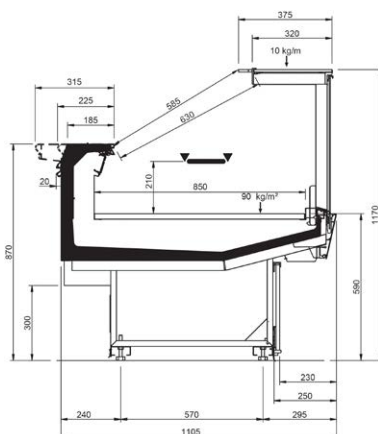


Epta S.p.A. participates in the ECC programme for: Refrigerated display cabinets (RDC). Check ongoing validity of certificate online: www.eurovent-certification.com

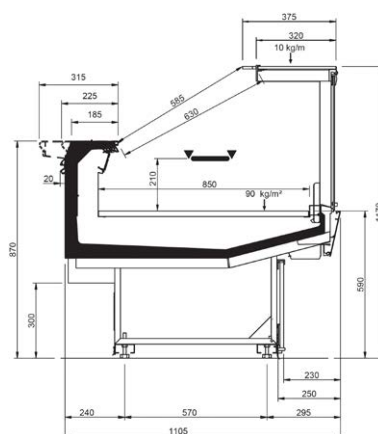
Product range

| VELVET N STUDIO | | | | | | | | | |
|---|-------|------|------|------|------|------|------------|------------|------------|
| Length-Lunghezza Longueur-Länge-Longitud mm | 937 | 1250 | 1875 | 2500 | 3125 | 3750 | MAA 90° | MAA 45° | MAC 45° |
| RDB | • | • | • | • | • | • | | | |
| RDA | • | • | • | • | • | • | • | • | |
| WO | • | • | • | • | • | • | | • | • |
| RDBP | • | • | • | • | • | • | • | • | • |
| RCA | • | • | • | • | • | • | • | • | • |
| RCB | • | • | • | • | • | • | • | • | • |
| LS | • | • | • | • | • | • | • | • | • |
| Display area Superficie di esposizione Warenpräsentationsfläche Surface d'exposition Superficie expositiva m ² /ml | 0.85 | | | | | | | | |
| Loading area Superficie di appoggio Nutzfläche Surface de chargement Superficie de apoyo m ² /ml | 1.08 | | | | | | | | |
| End thickness Spessore spalla Stärke der Seitenwand Épaisseur de cheue joue Espesor lateral mm | 55.00 | | | | | | | | |

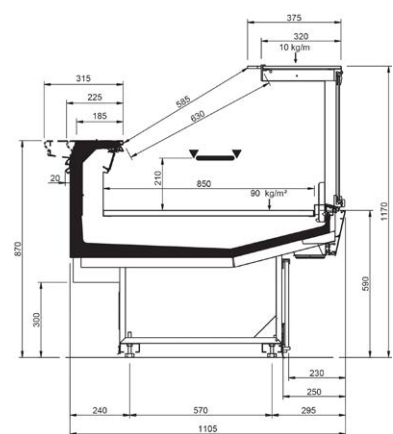
Cross sections



RDB

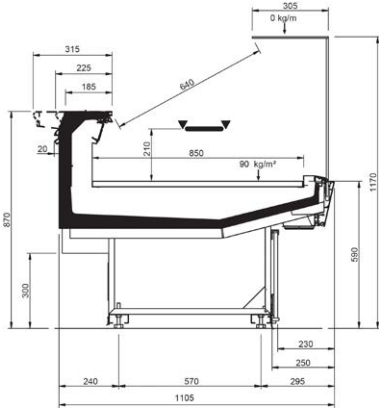


RDA

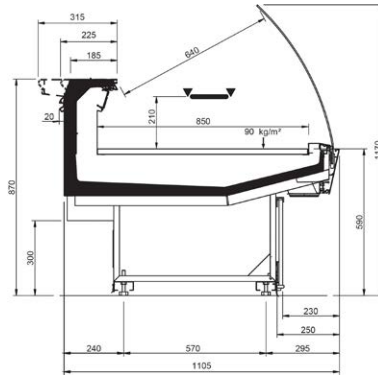


WO

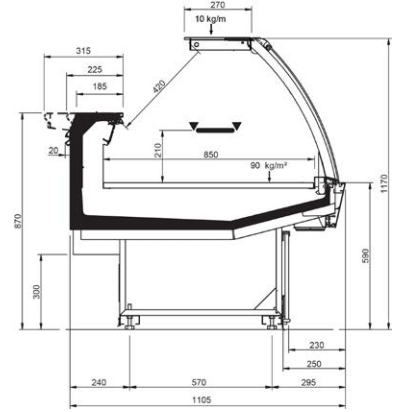
Cross Sections



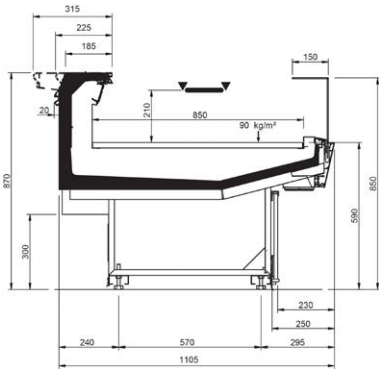
RDBP



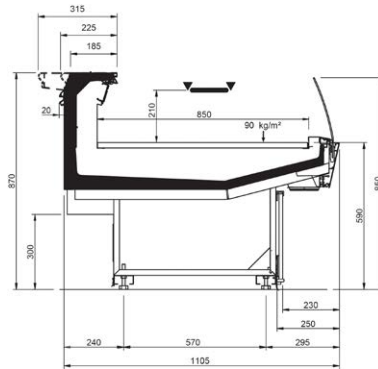
RCB



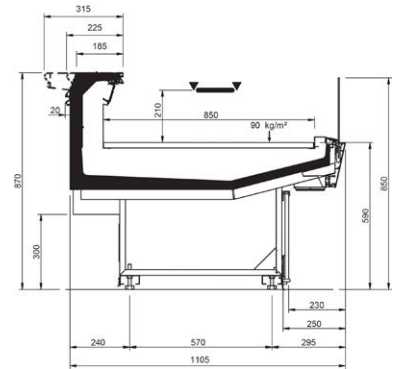
RCA



LS-U



LS-C



LS-D