



Product categories

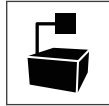


Pastries

Technical features



Ventilated



Remote condensing unit



LED lighting

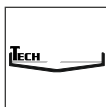


High efficiency fans



Off-cycle defrost

Certification and patents



TechnoKleen



Epta Adamant

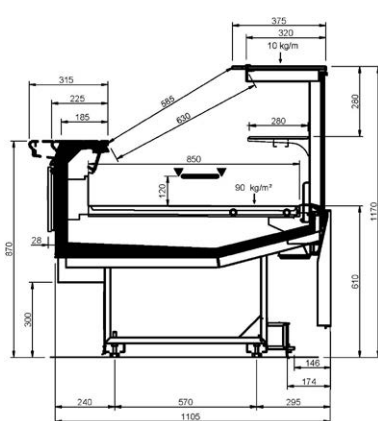


Epta S.p.A. participates in the ECC programme for: Refrigerated display cabinets (RDC). Check ongoing validity of certificate online: www.eurovent-certification.com

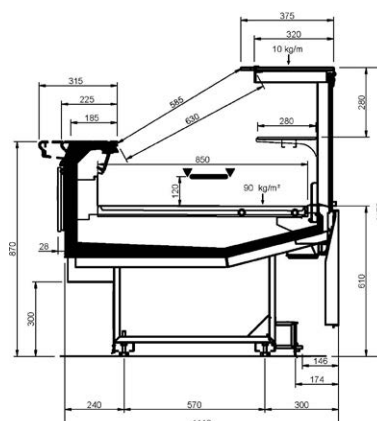
Product range

VELVET PASTRY						
Length-Lunghezza Longueur-Länge-Longitudud mm	1250 DESIGN	2500 DESIGN	1250 STUDIO	2500 STUDIO	1250 STYLE	2500 STYLE
RDB	•	•	•	•	•	•
RDA	•	•	•	•	•	•
WO	•	•	•	•	•	•
RCA	•	•	•	•	•	•
Display area Superficie di esposizione Warenpräsentationsfläche Surface d'exposition Superficie expositiva m ² /ml	1.09					
Loading area Superficie di appoggio Nutzfläche Surface de chargement Superficie de apoyo m ² /ml	1.08					
End thickness Spessore spalla Stärke der Seitenwand Épaisseur de cheue joue Espesor lateral mm	55.00 Style-Studio / 35.00 Design					

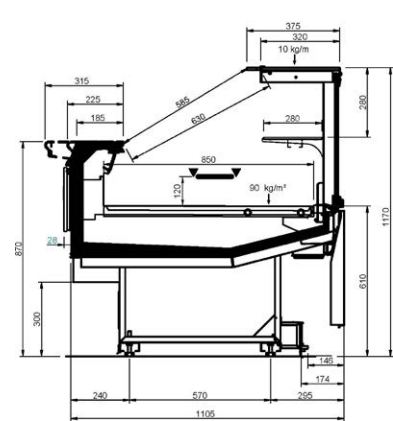
Cross sections



DESIGN - RDB

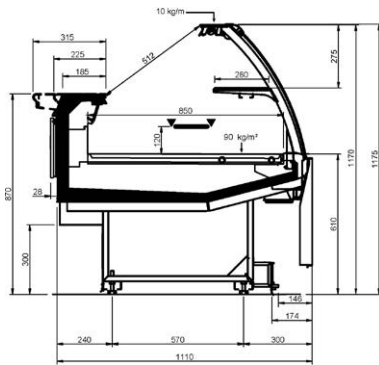


DESIGN - RDA

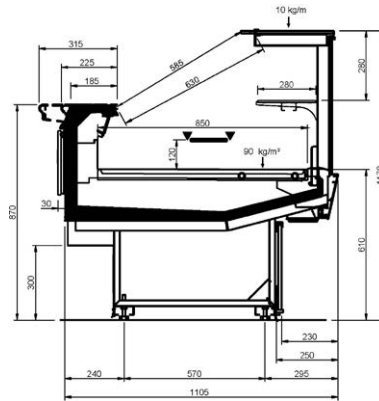


DESIGN - WO

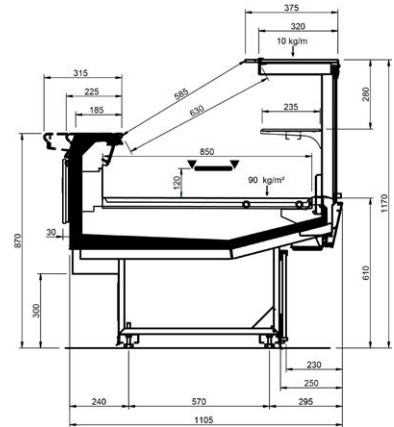
Cross Sections



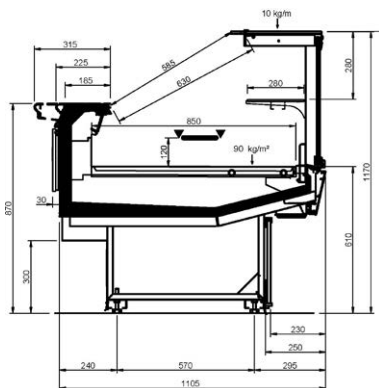
DESIGN - RCA



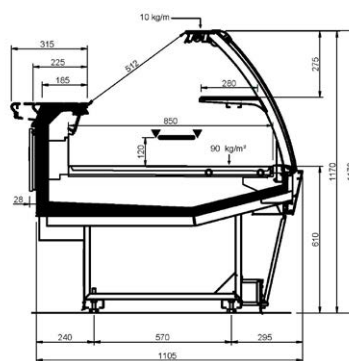
STUDIO - RDB



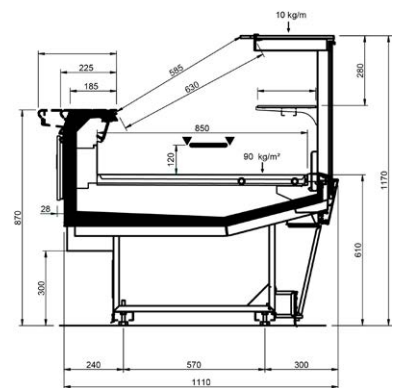
STUDIO - RDA



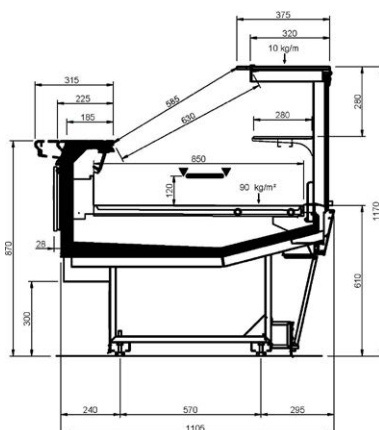
STUDIO - WO



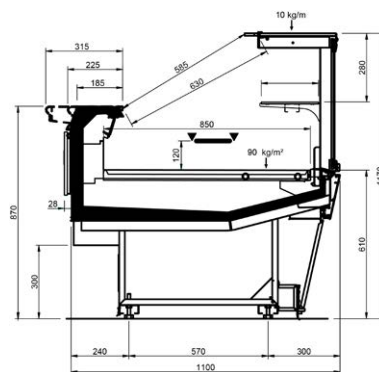
STUDIO - RCA



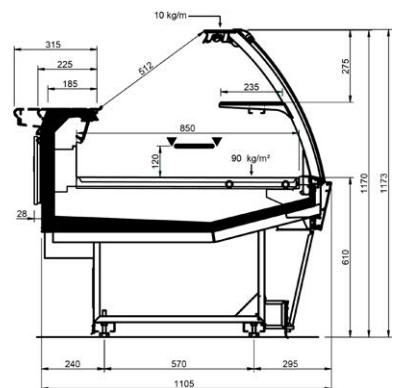
STYLE - RDB



STYLE - RDA



STYLE - WO

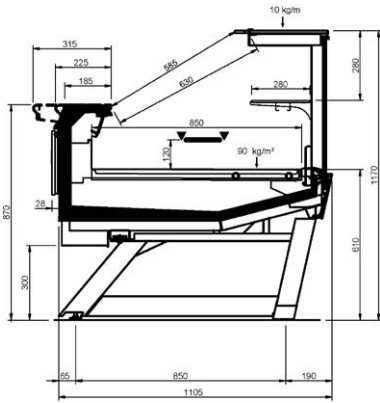


STYLE - RCA

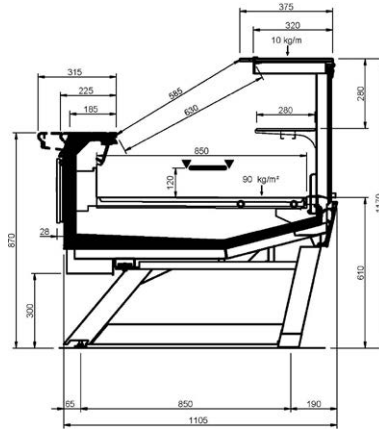
VELVET PASTRY

OutFit

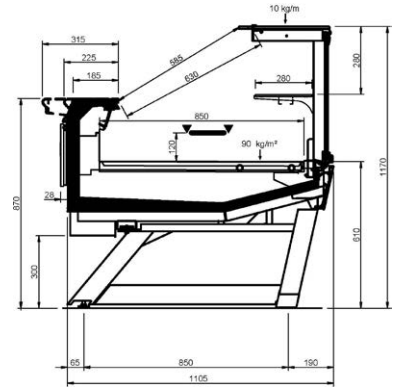
Cross Sections



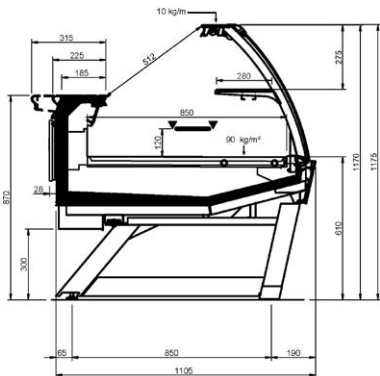
STYLE LEGS - RDB



STYLE LEGS - RDA



STYLE LEGS - WO



STYLE LEGS - RCA